

# S10 RELAY

SHORI

## ◆ Features

- 40A switching use relay at ambient temperature of 80°C.
- Compatible fasten terminal arrangement with this kind of power relay.
- Standardized design for plug-in quick connect terminals.



## ◆ Coil Data [at 23°C]

Rated voltage (V)	Coil Resistance ±10% (Ω)	Rated Current ±10% (mA)	Pick up Voltage (Max)	Drop out Voltage (Min)	Max continuous Voltage	Power consumption At rated Voltage
12	80	150	70% of rated voltage	10% of rated voltage	130% Max of Rated voltage	Approx.1.8W
24	320	75				
36	720	50				

## ◆ Contact Rating

Resistive load	NC:30A 14VDC NO:40A 14VDC
----------------	---------------------------

## ◆ Type List

Terminal style	Contact form	Enclosure style	
		Dust cover	Flanged cover (Dust cover)
Socket terminal	1A (SPNO)	S10-1A-C-12VDC	S10-1A-C1-12VDC
	1B(SPNC)	S10-1B-C-12VDC	S10-1B-C1-12VDC
	1C(SPDT)	S10-1C-C-12VDC	S10-1C-C1-12VDC
PCB terminal	1A (SPNO)	S10-1AP-C-12VDC	S10-1AP-C1-12VDC
	1B(SPNC)	S10-1BP-C-12VDC	S10-1BP-C1-12VDC
	1C(SPDT)	S10-1CP-C-12VDC	S10-1CP-C1-12VDC

## ◆ Ordering information

S10 - 1A - C - 12VDC  
 1        2        3        4

- |  |   |
|--|---|
| <p>1. S10 -- Basic series designation</p> <p>2. 1A -- Single pole normally open<br/>         1B --Single pole normally close<br/>         1C -- Single pole double throw</p> | <p>3. C -- Dust cover<br/>         C1 -- Flanged cover (Dust cover)</p> <p>4. 12VDC -- Coil Voltage (12V~36V)</p> |
|--|---|

## ◆ Specification

Contact material	Ag Alloy
Contact resistance	100mΩ Max
Operate time	10 ms Max

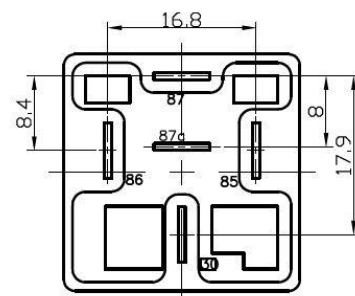
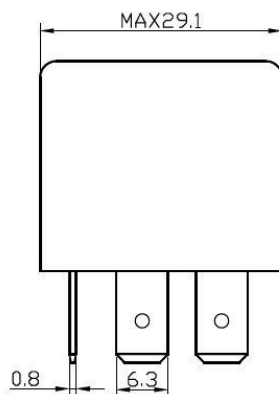
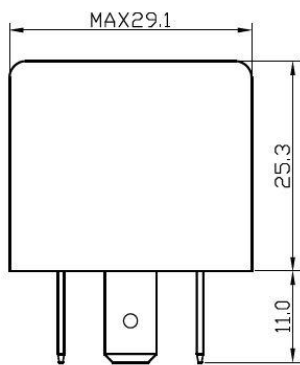
# S10 RELAY

SHORI

Release time	10 ms Max	
Insulation resistance	50 M $\Omega$ Min. (DC 500V)	
Dielectric strength	Between open contact	: AC 500V ,50/60Hz 1 min.
	Between contact and coil	: AC 500V, 50/60Hz 1 min.
Vibration resistance	Operating extremes	10~50Hz, amplitude 2 mm
	Damage limits	10~50Hz, amplitude 2 mm
Shock resistance	Operating extremes	5G
	Damage limits	100G
Life expectancy	Mechanical	10,000,000 operations (frequency 18,000 operations/hr)
	Electrical	100,000 operations (frequency 1,200 operations/hr)
Operating ambient temperature	-30~+85°C (no freezing)	
Weight	Approx.40g	

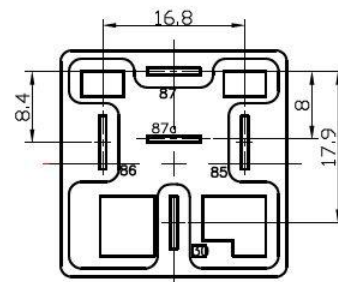
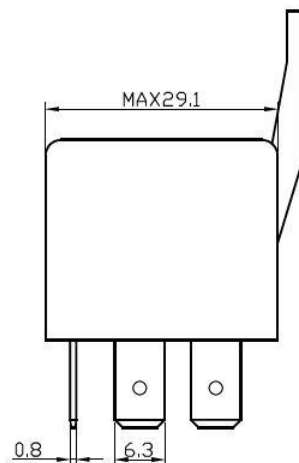
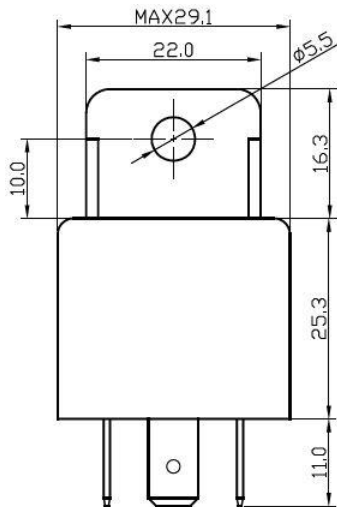
## ◆ Outline dimensions

➤ S10 - □ - C - □ - □



(BOTTOM VIEW)

➤ S10 - □ - C1 - □ - □



(BOTTOM VIEW)

TOLERANCE:  
 <1mm:±0.2mm  
 1-5mm:±0.3mm  
 >5mm :±0.4mm

# S10 RELAY

SHORI

---

◆ Wiring Diagram (BOTTOM VIEW)

